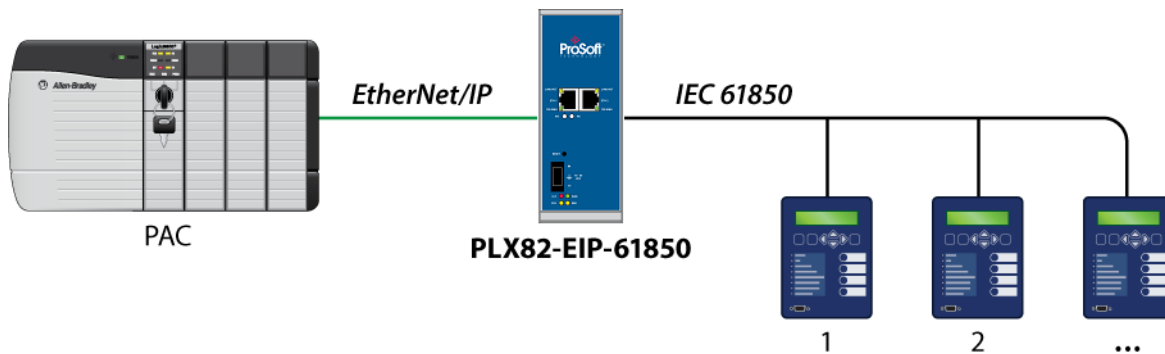


EtherNet/IP™ Server to IEC 61850 Client Gateway PLX82-EIP-61850

The ProSoft Technology® EtherNet/IP™ to IEC 61850 communication gateway allows Rockwell Automation® PACs to interface with IEC 61850 Intelligent Electronic Devices (IED) such as substation power monitors and relays. The gateway acts as an IEC 61850 Client polling the devices on your network.

The two ports allow the IEC 61850 and EtherNet/IP™ protocols to reside on separate subnets.



Features

- ◆ The supplied configuration software enables you to import all of your relevant IED tags into your Logix® controller tag database, reducing configuration time and errors
- ◆ Multiple EtherNet/IP™ I/O connections give you large amounts of data to transfer in a real time environment
- ◆ Standards-based identification of device types simplifies implementation and maintenance

Configuration

Configuration is accomplished through the dedicated PLX82-EIP-61850 Configuration Manager software which can be downloaded from our website, www.prosoft-technology.com. The configuration utility automatically creates the Add-On Instruction to be used in RSLogix™ 5000/Studio 5000™ and brings the data over as configured.

Specifications – IEC 61850 Client

Supports up to 20 IEDs on the network with a maximum of 300 data attributes each. (max number of data attributes is determined by user configured data types and size of user configured data points)

Specification	Description
ACSI Basic Conformance	
SCSMs supported	SCSM: IEC 61850 8.1(MMS) used
ACSI Model Conformance	
Reporting	Buffered Report Control Block (BRCB) Unbuffered Report Control Block (URCB)
GOOSE	entryID, DataRefInc
Control	Direct-with-Normal-Security SBO-with-Normal-Security Direct-with-Enhanced-Security SBO-with-Enhanced-Security
Logical Nodes	IEC 61850 Logical Nodes, including Logical Nodes for Hydro Power Plants and Logical Nodes for Wind Power Plants
Configurable Parameters	MMS Command Delay
Status Data	Status available per node Report and GOOSE status available High-level status data available from Ethernet/IP Client through the Ethernet/IP Server (for example PLC or PAC)

Specifications – SNTP/NTP Client

The gateway supports a Simple Network Time Protocol (SNTP/NTP) client service that can synchronize the gateway's time by periodic update requests to a Coordinated Universal Time (UTC) system. The user can configure the SNTP/NTP server details in ProSoft 61850 Configuration Manager. The resolution of the time is in milliseconds (ms).

Specification	Description
Configurable Parameters	SNTP/NTP server synchronization rate in minutes SNTP/NTP server address

Specifications – EtherNet/IP™ Server

The gateway supports multiple communication methods to fit your application. In addition, it features multiple EtherNet/IP™ I/O Connections. (20 maximum, providing support for 10,000 bytes of input data and 9920 bytes of output data)

Specification	Description
Class 1 Messaging	I/O connections for real-time data transfer
Class 3 Messaging	PLC messaging support



Where Automation
Connects™

Global Distribution

ProSoft Technology® products are distributed and supported worldwide through a network of over 500 distributors in over 50 countries. Our knowledgeable distributors are familiar with your application needs. For a complete list of distributors, go to our website at:

www.prosoft-technology.com

Global Support

We are there for you

All ProSoft Technology products are backed with free technical support. Contact our worldwide Technical Support team directly by phone or email.

Global Offices

We are where you are

ProSoft Technology has regional offices worldwide available to help you with all your industrial application needs. If you need help choosing a ProSoft Technology solution for your particular application check out our contact information under distributor sales on the website at:

www.prosoft-technology.com

Whether your application is large or small, our technical professionals are there to help you choose the right communication solution.

Hardware Specifications

Specification	Description
Power Supply	24 VDC nominal 10 to 36 VDC power input allowed Positive, Negative, GND Terminals 2.5 mm screwdriver blade
Current Load	200 mA max @ 24 VDC 150 mA max @ 32 VDC 450 mA max @ 10 VDC
Operating Temperature	0°C to 70°C (32°F to 158°F)
Storage Temperature	-40°C to 85°C (-40°F to 185°F)
Relative Humidity	5% to 95%, with no condensation
Dimensions H x W x D	5.52 x 2.06 x 4.37 in 14.02 x 5.23 x 11.1 cm
Shock	IEC 60068-2-27; 15G @ 11ms (Operational) IEC 60068-2-27; 30G @ 18ms (Non-Operational)
Vibration	IEC 60068-2-6; 5G, 10 to 150 Hz
LED Indicators	ERR, CFG, FLT, PWR
Ethernet Ports (E1, E2)	10/100 Base-T half duplex RJ45 Connector Link and Activity LED indicators Electrical Isolation 1500 V rms at 50 to 60 Hz for 60 s, applied as specified in section 5.3.2 of IEC 60950: 1991 Ethernet Broadcast Storm Resiliency = less than or equal to 5000 [ARP] frames-per-second and less than or equal to 5 minutes duration
Shipped with Each Unit	One - J180 screw terminal plug One - HRD250 screwdriver

Agency Approvals and Certifications

Please visit our website: www.prosoft-technology.com



Additional Products

ProSoft Technology® offers a full complement of hardware and software solutions for a wide variety of industrial communication platforms. For a complete list of products, visit our website at: www.prosoft-technology.com

Ordering Information

To order this product, please use the following:

EtherNet/IP™ Server to IEC 61850 Client Gateway

PLX82-EIP-61850

To place an order, please contact your local ProSoft Technology distributor. For a list of ProSoft Technology distributors near you, go to: www.prosoft-technology.com and select *Where to Buy* from the menu.

Copyright © 2020 ProSoft Technology, Inc.
All Rights Reserved. 2/11/2020

Specifications subject to change without notice.