



Solution Brief



How You'll Benefit From a Phased Modernization

Industrial automation systems are tough, but at some point like most equipment they do need to be replaced by a more modern setup. That new system is a great prospect – updated technology, and potentially more opportunities for facility-wide communications to make the most of your equipment's data. The downside to all of that may surface when you start to wonder just how you'll be making that switch from a legacy to a modern control system. Programs that need to be transferred over...production that will cease...testing to make sure your operation has been switched over correctly...

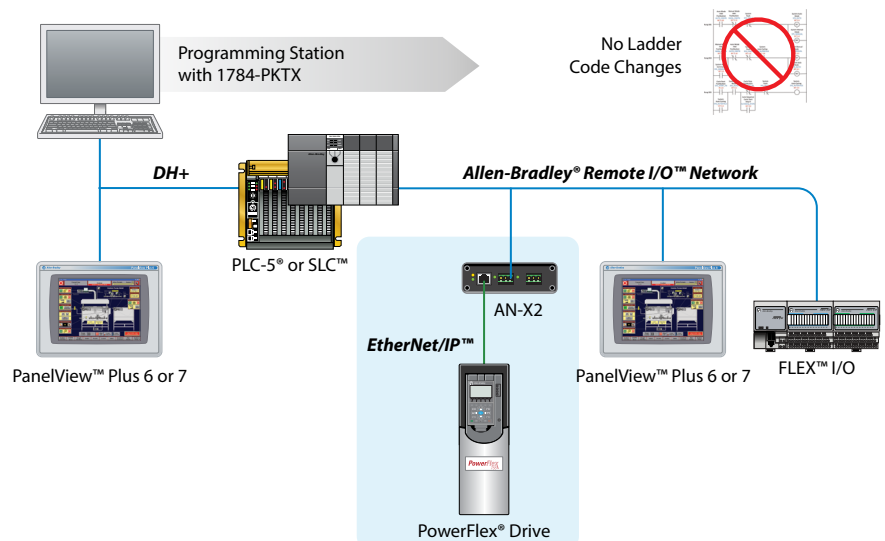
Before you start thinking a less costly option would be to stick it out with your legacy system till the bitter end, you should know that there's a lower-risk alternative to a standard rip-and-replace. By modernizing in phases, you can **update your facility on a timeline that works for you and your production needs – and not the other way around.** In this proactive approach, you can even gradually update using OpEx dollars, instead of getting a costly CapEx update approved. Using phased modernization solutions, you can:

- Transfer your original PLC code from your legacy Remote I/O™ or DH+™-based PLC to your new EtherNet/IP™ controller.
- Retain existing I/O until at least the point where you can ensure that your new control system is in place and working well with the other equipment in your facility.
- Reduce the downtime associated with a rip-and-replace – and the lost profits it would likely lead to.

With ProSoft Technology's Modernization Gateway, you can update:

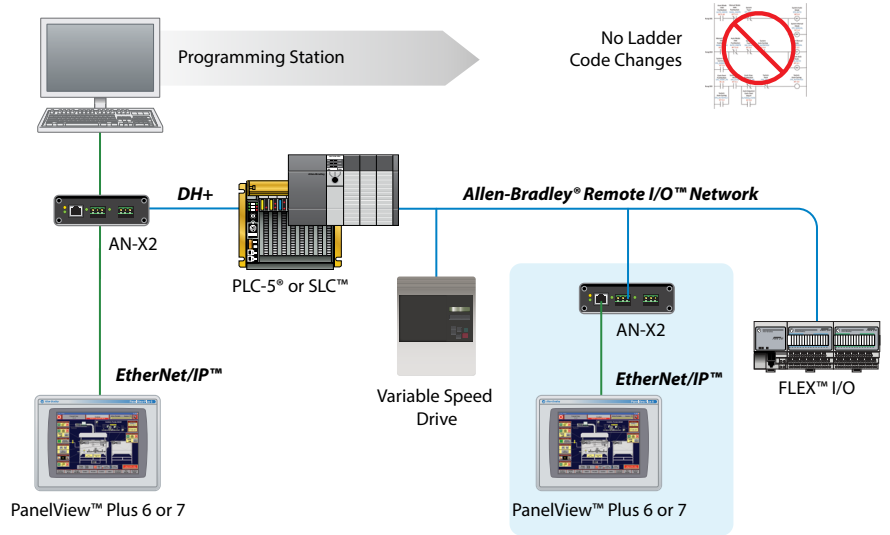
Variable Frequency Drives

With ProSoft's AN-X2-AB-DHRIO gateway, you can upgrade your Remote I/O drives to new PowerFlex® EtherNet/IP™ drives, with no changes to your PLC program. One gateway can support up to 4 drives.



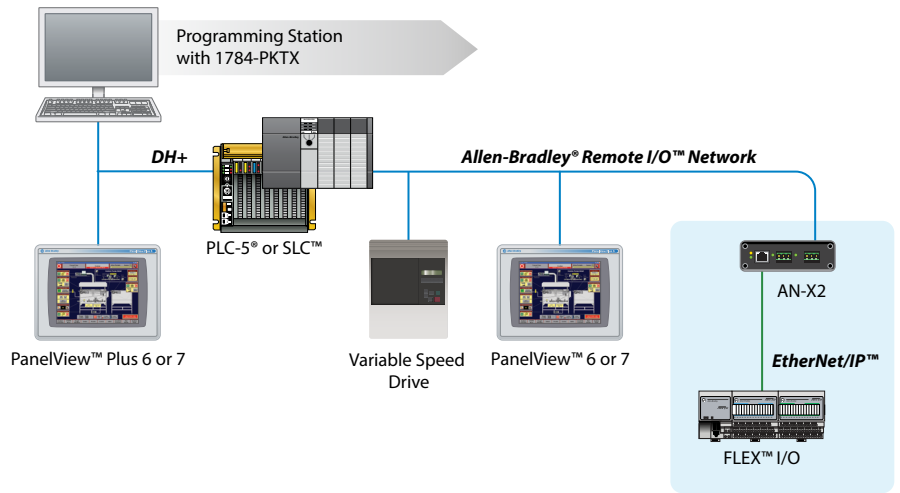
PanelView™ Terminals

Are your PanelView terminals or Programming Stations ready for an upgrade? With the AN-X2-AB-DHRIO gateway, you can upgrade your Remote I/O™ and DH+™ PanelViews to new EtherNet/IP PanelView Plus terminals with no changes to your PLC program. One gateway can support up to 8 PanelView terminals.



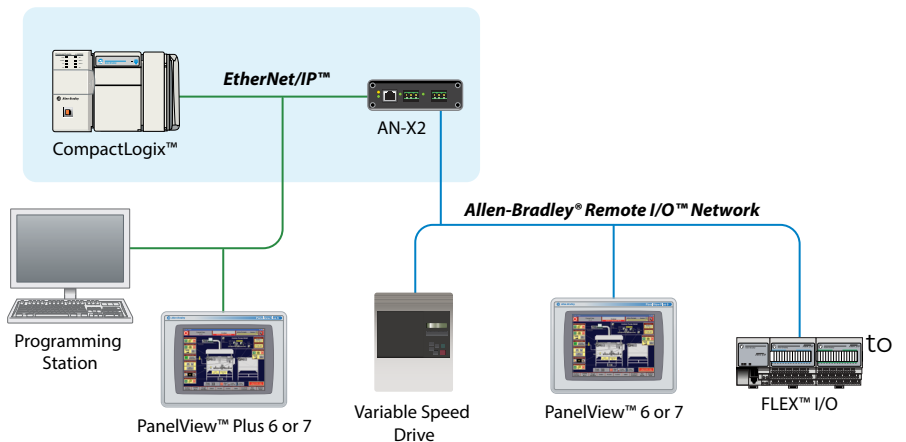
FLEX™ I/O Adapters

With the AN-X2-AB-DHRIO gateway, you can upgrade your Remote I/O adapters for FLEX I/O to new EtherNet/IP adapters. One gateway can support up to 16 connections.



PLC-5® or SLC™

Your CompactLogix™ can control your existing Remote I/O devices using the AN-X2-AB-DHRIO gateway. The gateway supports up to 32 racks of I/O. The programming station would need to switch to Ethernet and the DH+™ PanelView would need to be upgraded at the same time as the controller upgrade.



Learn more about ProSoft's Phased Modernization solutions.

Worldwide Offices

Asia Pacific

Regional Office

Phone: +60.3.2247.1898
asiapc@prosoft-technology.com
Languages: Bahasa, Chinese, English, Japanese, Korean

Regional Tech Support

support.ap@prosoft-technology.com

North Asia (China, Hong Kong)

Phone: +86.21.5187.7337
china@prosoft-technology.com
Languages: Chinese, English

Regional Tech Support

support.ap@prosoft-technology.com

Southwest Asia (India, Pakistan)

Phone: +91.98.1063.7873
india@prosoft-technology.com
Languages: English, Hindi, Urdu

Australasia

(Australia, N. Zealand)
Phone: +61(0)467.023.666
pacific@prosoft-technology.com
Language: English

Southeast Asia (Singapore, Indonesia, Philippines)

Phone: +60.3.2247.1898
seasia@prosoft-technology.com
Languages: English, Bahasa, Tamil

Northeast & Southeast Asia (Japan, Taiwan, Thailand, Vietnam, Malaysia)

Phone: +60.3.2247.1898
neasia@prosoft-technology.com
Languages: English, Chinese, Japanese

Korea

Phone: +60.3.2247.1898
korea@prosoft-technology.com
Languages: English, Korean

Europe/M. East/Africa

Regional Office

Phone: +33.(0)5.34.36.87.20
europe@prosoft-technology.com
Languages: French, English

Regional Tech Support

support.emea@prosoft-technology.com

Middle East & Africa

Phone: +971.4.214.6911
mea@prosoft-technology.com
Languages: Hindi, English

Regional Tech Support

support.emea@prosoft-technology.com

North Western Europe (UK, IE, IS, DK, NO, SE)

Phone: +44.(0)7415.864.902
nweurope@prosoft-technology.com
Language: English

Central & E. Europe, Finland

Phone: +48.22.250.2546
centraleurope@prosoft-technology.com
Languages: Polish, English

Russia & CIS

Phone: +7.499.704.53.46
russia@prosoft-technology.com
Languages: Russian, English

Austria, Germany, Switzerland

Phone: +49.(0)1511.465.4200
germany@prosoft-technology.com
Languages: German, English

BeNeLux, France, North Africa

Phone: +33.(0)5.34.36.87.20
france@prosoft-technology.com
Languages: French, English

Mediterranean Countries

Phone: +39.342.8651.595
italy@prosoft-technology.com
Languages: Italian, English, Spanish

Latin America

Regional Office

Phone: +52.222.264.1814
latinam@prosoft-technology.com
Languages: Spanish, English

Regional Tech Support

support.la@prosoft-technology.com

Brazil

Phone: +55.11.5084.5178
brasil@prosoft-technology.com
Languages: Portuguese, English

Regional Tech Support

support.la@prosoft-technology.com

Mexico

Phone: +52.222.264.1814
mexico@prosoft-technology.com
Languages: Spanish, English

Regional Tech Support

support.la@prosoft-technology.com

Andean Countries, Central America & Caribbean

Phone: +507.6427.48.38
andean@prosoft-technology.com
Languages: Spanish, English

Southern Cone (Argentina, Bolivia, Chile, Paraguay & Uruguay)

Phone: +52.222.264.1814
scone@prosoft-technology.com
Languages: Spanish, English

North America

Regional Office

Phone: +1.661.716.5100
info@prosoft-technology.com
Languages: English, Spanish

Regional Tech Support

support@prosoft-technology.com

Tech Support

ProSoft Technology's technical support is unparalleled in the industrial automation industry. To continue our world-class technical support, we have opened offices in most time zones in an effort to support our customers at a local level. See Regional Tech Support contact information above.



Copyright ©2021 ProSoft Technology, Inc.

All Rights Reserved. December 2021

Mod-SB_2021